

THE INFORMATION CONTAINED HEREIN REMAINS THE SOLE PROPERTY OF WA GROUTING SYSTEMS, GROUT PUMPS - AUSTRALIA WITH ALL RIGHTS RESERVED. INFORMATION HEREIN MAY CHANGE WITHOUT NOTICE

	NAME	DATE		
DESIGNED	WAGS	15 JUN 16		
DRAWN	R HOMER	15 JUN 16		
CHKD				
APPRVD				
REF DRW				

MASS Kg:

DO NOT SCALE DRAWING

REVA

W.A. GROUTING SYSTEMS
www.peelonline.com.au +61 (0)409 295 833

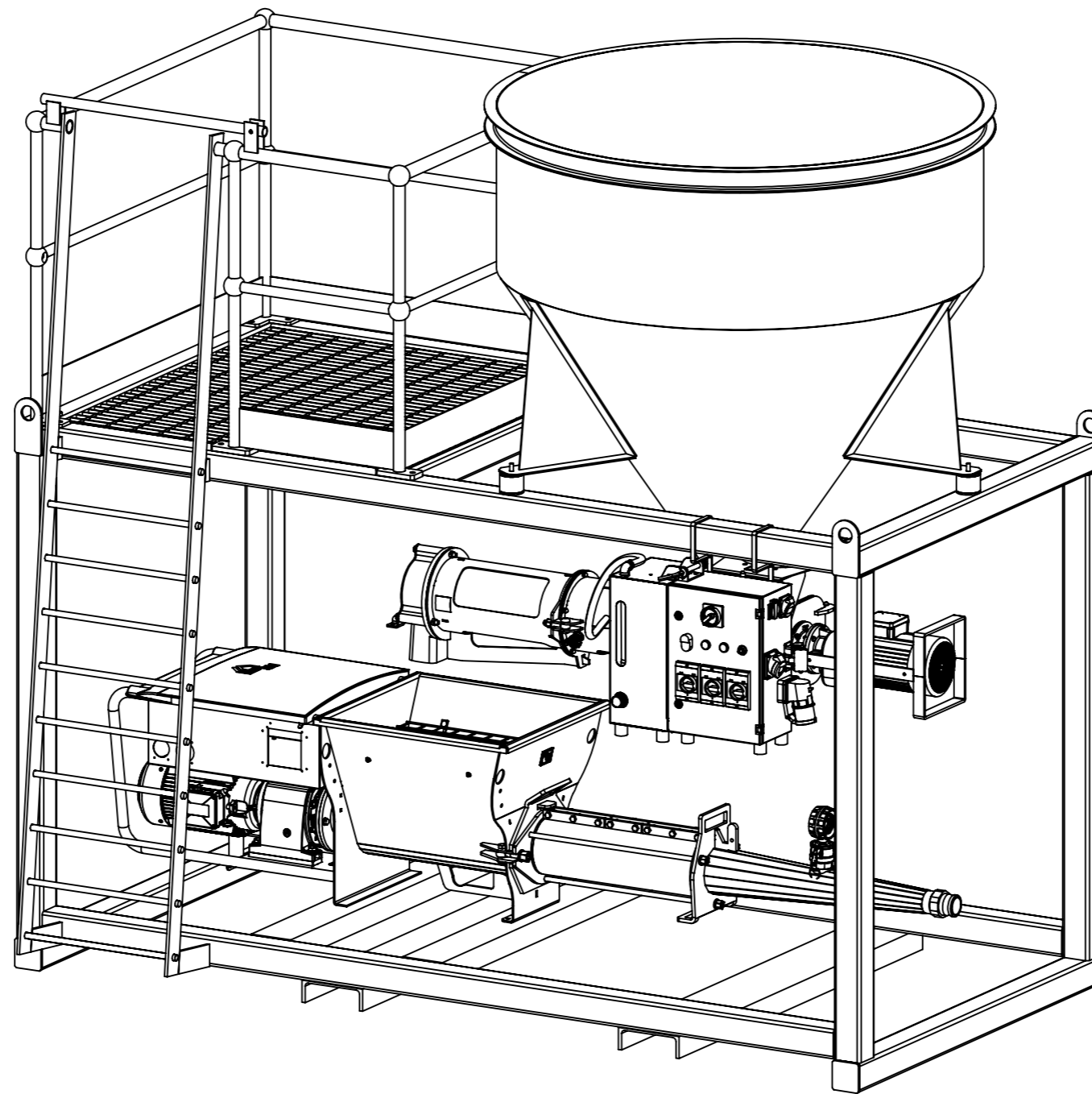
TITLE: WAGS CM180
DESCRIPTION:
CONTINUOUS GROUT STATION

WAGS Dwg No **30030**

A3

SCALE 1:25

SHEET 1 OF 2



THE INFORMATION CONTAINED HEREIN REMAINS THE SOLE PROPERTY OF WA GROUTING SYSTEMS, GROUT PUMPS - AUSTRALIA WITH ALL RIGHTS RESERVED. INFORMATION HEREIN MAY CHANGE WITHOUT NOTICE

DO NOT SCALE DRAWING

REVA

W.A. GROUTING SYSTEMS
www.peelonline.com.au +61 (0)409 295 833

	NAME	DATE		
DESIGNED	WAGS	15 JUN 16		
DRAWN	R HOMER	15 JUN 16		
CHCKD				
APPRVD				
REF DRW				

TITLE: WAGS CM180

DESCRIPTION:
 CONTINUOUS GROUT STATION

WAGS Dwg No **30030**

A3

MASS Kg:

SCALE 1:20

SHEET 2 OF 2